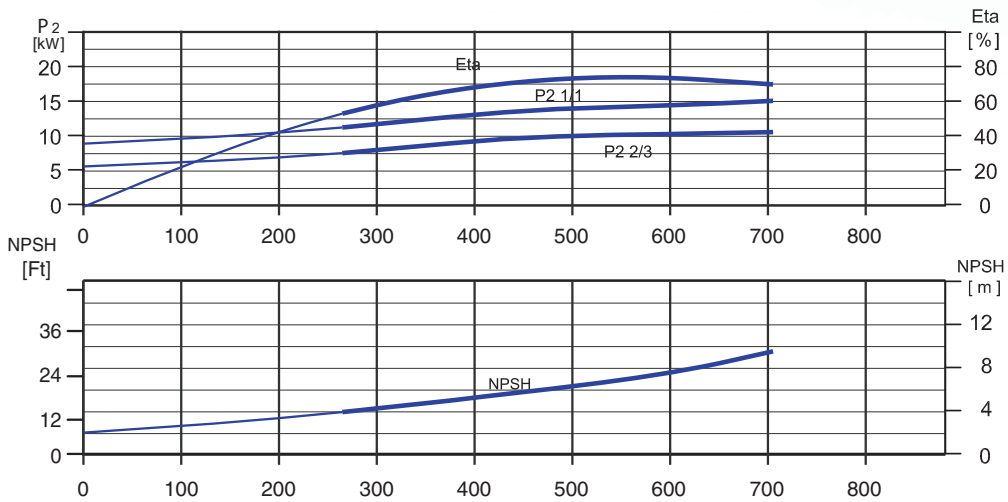
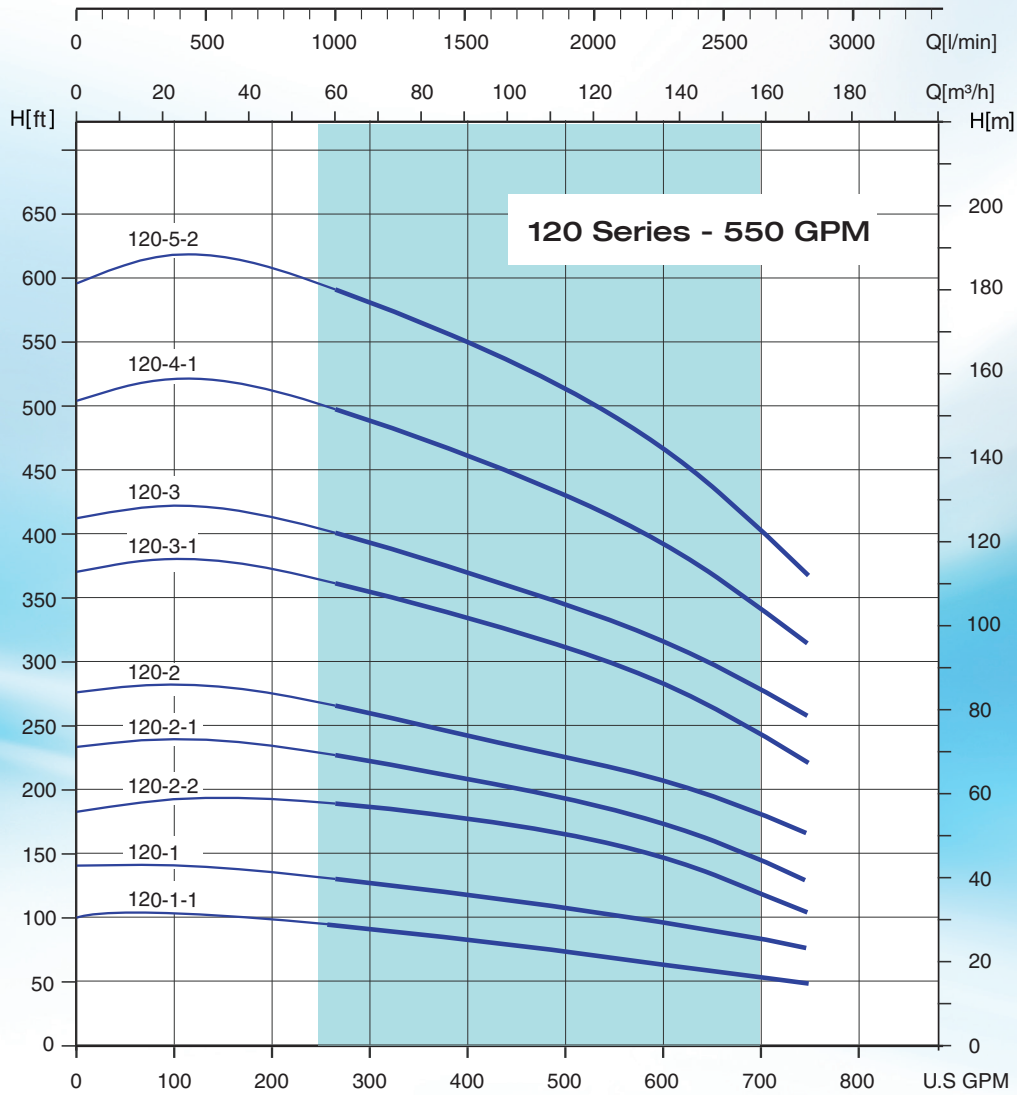




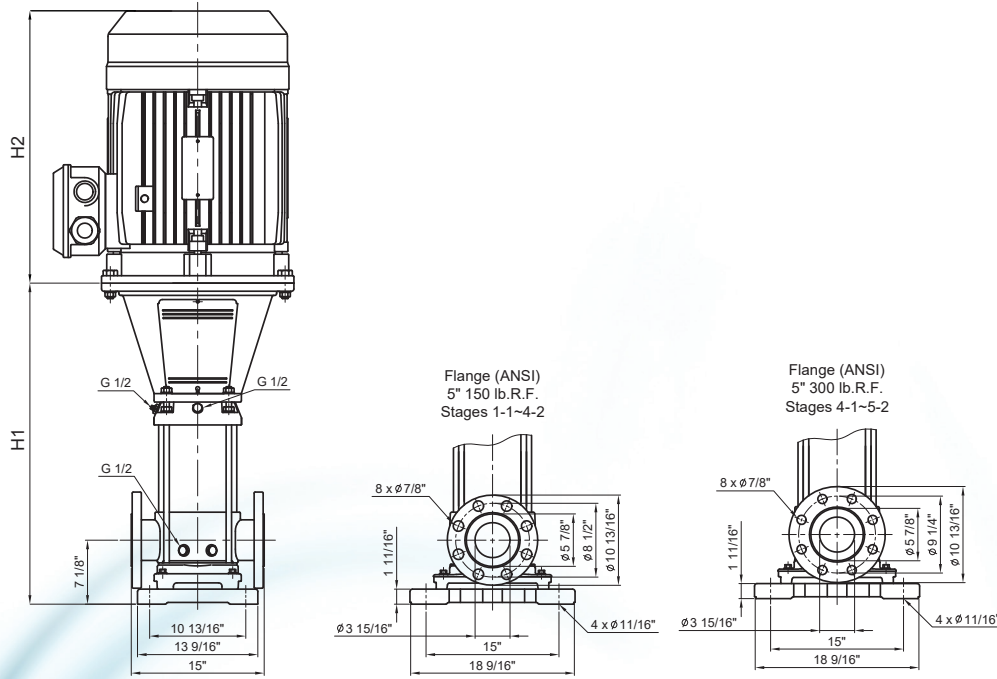
VPS 120 NEMA MOTOR BRACKET



ISO 9906 Annex A

VPS 120 NEMA MOTOR BRACKET

Dimensions and weights



MODEL	HP	MOTOR FRAME	ODP MOTOR	TEFC MOTOR	DIMENSIONS AND WEIGHT FOR VPS SERIES - NEMA MOTORS																					
					H1		H2		H2		D1		D1		D2		D2		D3		NET WEIGHT					
					PUMP END	ODP	TEFC	TEFC	ODP	TEFC	ODP	TEFC	ODP	TEFC	ODP	TEFC	ODP	TEFC	ODP	TEFC	ODP	TEFC				
					in	mm	in	mm	in	mm	in	mm	in	mm	in	mm	in	mm	in	mm	in	mm	lbs	kg	lbs	kg
THREE PHASE MOTOR																										
VPS 120-1-1	20	254TC	MVB 200H36O	MVB 200H36T	33	837	18 1/4	464	20	503	11 1/2	293	13	329	9 1/2	242	10 1/8	256	9 1/2	241	9 1/8	231	185	84	229	104
VPS 120-1	25	284TSC	-	MVB 250H36T	33	837	-	19 1/4	487	-	-	13	329	-	-	11 5/8	293	-	-	11 1/4	285	-	-	283	129	
VPS 120-2-2	40	324TSC	-	MVB 400H36T	39 1/8	992	-	25 1/4	639	-	-	15	376	-	-	13 3/4	349	-	-	13 1/8	332	-	-	708	322	
VPS 120-2-1	40	324TSC	-	MVB 400H36T	39 1/8	992	-	25 1/4	639	-	-	15	376	-	-	13 3/4	349	-	-	13 1/8	332	-	-	708	322	
VPS 120-2	50	326TSC	-	MVB 500H36T	39 1/8	993	-	25 1/8	636	-	-	17	429	-	-	14 3/4	372	-	-	13 1/2	341	-	-	450	205	
VPS 120-3-2	60	364TSC	-	MVB 600H36T	45 1/4	1148	-	27 5/8	700	-	-	19 1/2	496	-	-	18 1/8	460	-	-	13	330	-	-	736	334	
VPS 120-3-1	60	364TSC	-	MVB 600H36T	45 1/4	1148	-	27 5/8	700	-	-	19 1/2	496	-	-	18 1/8	460	-	-	13	330	-	-	736	334	
VPS 120-3	75	365TSC	-	MVB 750H36T	45 3/4	1160	-	27 5/8	700	-	-	19 1/2	496	-	-	18 1/8	460	-	-	13	330	-	-	747	339	
VPS 120-4-2	75	365TSC	-	MVB 750H36T	52	1315	-	27 5/8	700	-	-	19 1/2	496	-	-	18 1/8	460	-	-	13	330	-	-	747	339	

- Product unavailable.
 All measures must be used as reference only. Values may vary according to motor model.
 All measures and performances also apply for the VPC Series.